

# AIR MOVING MOTOR: 5.7 in. / 144.8 mm. 24 V 3-Stage

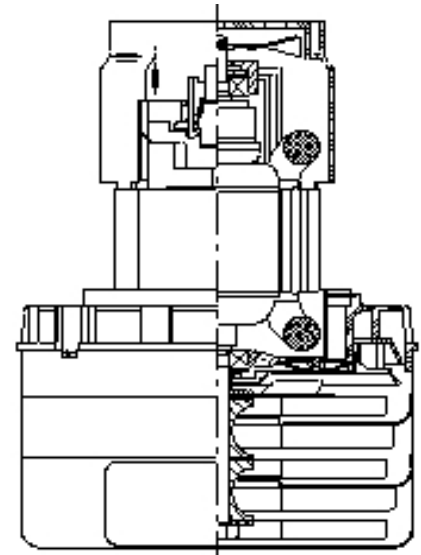
MODEL:116598-13

## SPECIFICATIONS

<b>Motor Type:</b>	Series Universal
<b>Input Voltage:</b>	24 VDC,
<b>Frequency:</b>	
<b>Fan Diameter:</b>	5.7 in./144.8 mm
<b>No. Fan Stages:</b>	3
<b>Fan System Style:</b>	Bypass
<b>Air Discharge:</b>	Peripheral (Acustek)
<b>Operating Temp:</b>	32-104°F/0-40°C
<b>Bearing System:</b>	Ball/Ball
<b>Frame:</b>	Skeleton
<b>Brush Type:</b>	Carbon
<b>Inlet Tube Dia.:</b>	None
<b>RFI Choke:</b>	None
<b>Speed:</b>	1

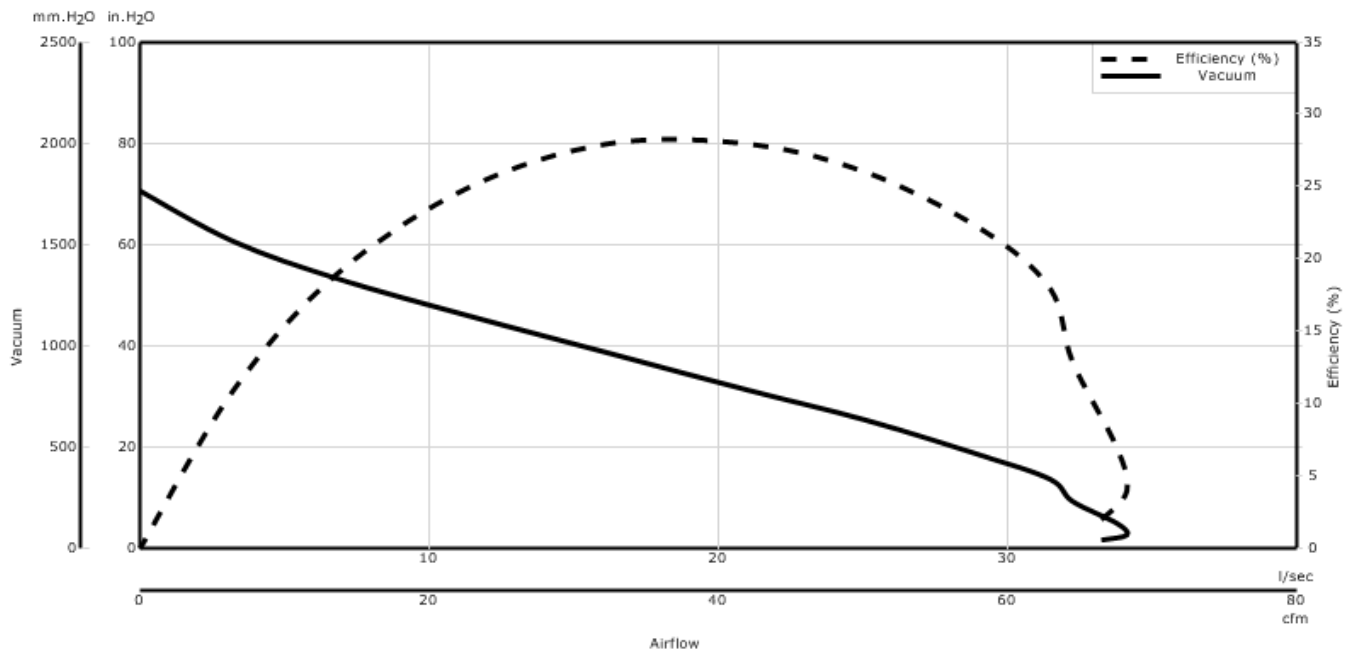
## ADDITIONAL FEATURES

<b>Regulatory:</b>	UL Recognized, ,
<b>Comm Bracket:</b>	Aluminum
<b>Fan Bracket:</b>	Plastic
<b>Therm Protect:</b>	None
<b>Insulation Class:</b>	Class A
<b>Added Bearing Prot.:</b>	Air Seal
<b>Fan Shell Coat:</b>	Epoxy
<b>Electrical Conn.:</b>	Lead Wires
<b>Duty Cycle:</b>	Intermittent
<b>Special Feature:</b>	



## Design Application

## PERFORMANCE



\* Data represents performance of a typical motor sampled from a large production quantity. Individual motor data may vary, due to normal manufacturing variations."

Data shown is measured at regulated nominal voltage and normalized to standard atmospheric pressure and temperature.

## ENGLISH

Orifice (inches)	Amps	Watts (In)	RPM	Vac (In. H2O)	Flow (CFM)	Air Watts
2.000	22.50	549	13678	1.6	66.5	12
1.750	22.50	551	13630	2.8	68.2	22
1.500	22.70	554	13566	5.1	67.5	40
1.250	23.00	562	13465	9.5	64.5	72
1.125	23.10	565	13429	13.8	62.9	102
1.000	23.20	566	13411	18.2	58.2	125
0.875	23.20	564	13426	25.3	50.2	149
0.750	22.70	554	13541	31.3	42.0	154
0.625	21.80	532	13951	38.6	32.4	147
0.500	20.60	501	14598	46.1	22.7	123
0.375	19.00	462	15410	53.3	13.7	86
0.250	17.50	426	16280	60.5	6.5	46
0.000	16.50	402	17277	70.5	0.0	0

## METRIC

Orifice (mm)	Amps	Watts (In)	RPM	Vac (mm H2O)	Flow (l/Sec)	Air Watts
48.000	22.50	550	13657	54.0	31.7	16
40.000	22.60	553	13585	112.0	32.0	35
30.000	23.10	564	13445	301.0	30.0	89
23.000	23.20	565	13422	598.0	24.6	143
19.000	22.70	554	13549	799.0	19.7	154
16.000	21.80	533	13935	973.0	15.5	147
13.000	20.70	504	14533	1,152.0	11.2	125
10.000	19.20	468	15288	1,326.0	7.1	92
6.500	17.60	428	16237	1,528.0	3.2	48
0.000	16.50	402	17277	1,791.0	0.0	0

\* Metric data is calculated based on ASTM standards  
 Box tests are performed to ASTM F558

WARNING: When using AMETEK vacuum motors in machines that come in contact with foam, liquid (including water), or other foreign substances, the machine must be designed and constructed to prevent those substances from reaching the fan system, motor housing, and electrical components. Ametek motors other than hazardous duty models should not be applied in machines that come in contact with dry chemicals or other volatile materials. Failure to observe these precautions could cause flashing (depending on volatility) or electrical shock which could result in property damage and severe bodily injury, including death in extreme cases. All applications incorporating Ametek motors should be submitted to appropriate organizations or agencies for testing specifically related to the safety of your equipment.